

BUSTER+PUNCH

LONDON

[product.]

THUMBTURN LOCK / LINEAR

[motion. **DEADBOLT.**]

[action. **LOCK.**]

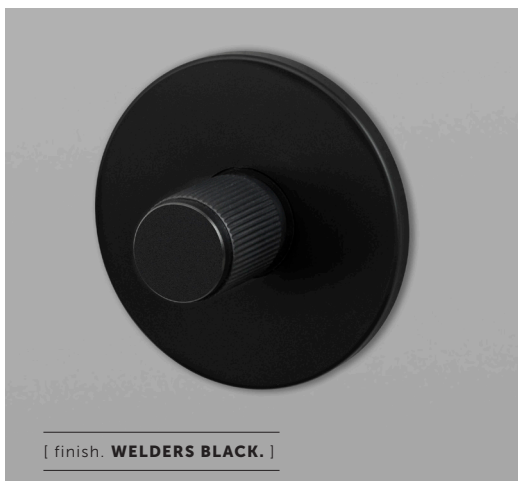
[knurl. **LINEAR.**]

[range. **DOOR HARDWARE.**]

An indoor thumbturn lock made from solid metal and featuring our elegant linear knurled detailing. Works great on all internal bathroom & toilet doors and can be combined with our matching door lever handles. Available in three metal finishes: steel, brass and welders black.



[finish. **BRASS.**]



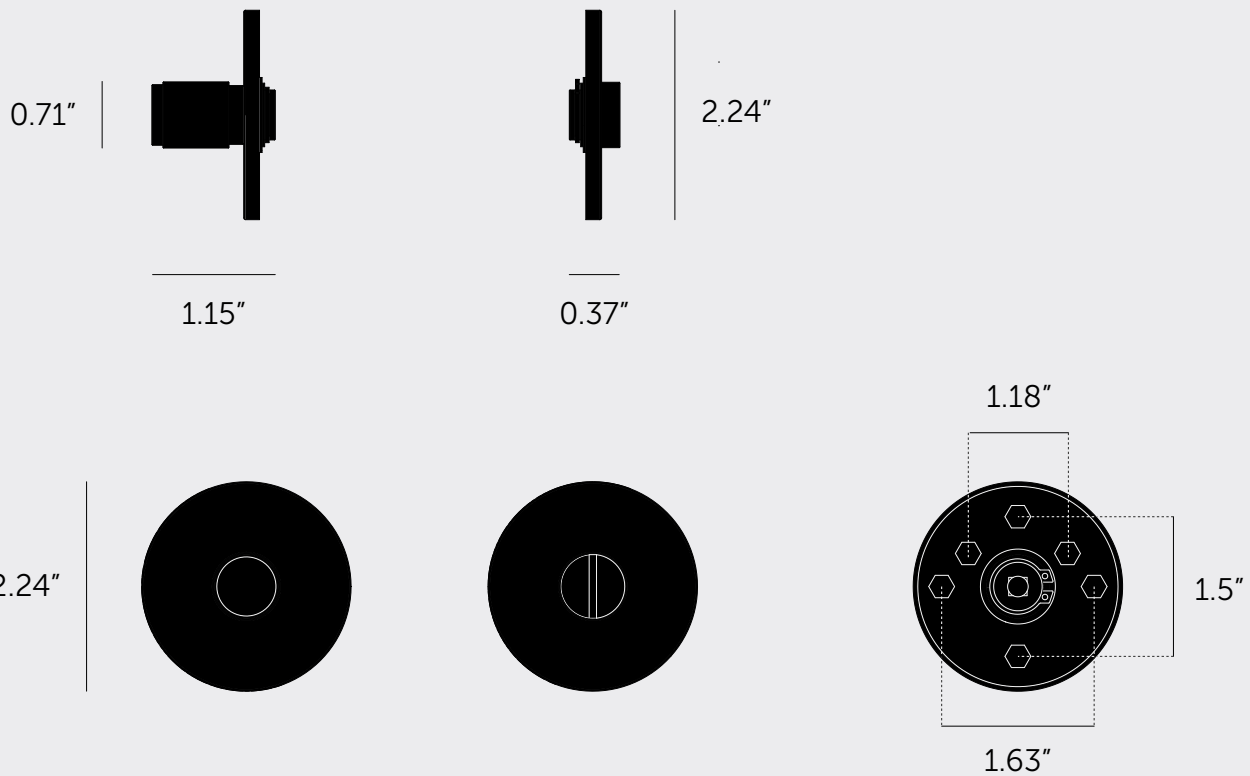
[finish. **WELDERS BLACK.**]



[finish. **STEEL.**]

[type. **THUMBTURN LOCK .**]

[info. **MEASUREMENTS.**]



[info. **SPECIFICATIONS.**]

A thumbturn lock, designed for installation onto locksets or deadbolt latches with centre distance 41.5 mm or 1-5/8"). Compatible with either tubular deadbolt latches or mortise locks.

Fits doors of thickness: minimum 1 13/32" to maximum 2 9/32" (with supplied fixings*).

* For thicker doors, longer through bolts and a longer spindle will need to be sourced.

[info. **FINISH & SKU NUMBERS.**]

[finish.]	[US.]
 Steel	NLL-071082
 Brass	NLL-051081
 Welders Black	NLL-021080

[info. **CARE INSTRUCTIONS.**]

Wipe with damp cloth with no loose hairs, avoid using any chemicals. All finishes are prone to aging.

[info. **INCLUDED.**]

1 x Thumbturn Lock Set

8 x 4 mm Woodscrews

1 x 5 mm x 5 mm Square Spindle

[info. **RECOMMENDED.**]

Purchase a DEADBOLT tubular latch from the Buster + Punch website:

	[2-3/4" Backset.]	[2-3/8" Backset.]	[3-3/4" Backset.]
Steel	NDT-071728	NDT-071722	NDT-071734
Brass	NDT-051727	NDT-051721	NDT-051733
Black	NDT-021730	NDT-021724	NDT-021736

[please. **NOTE.**]

DISCLAIMER: Always consult a trade professional when installing these thumbturn locks. Buster + Punch is not responsible for the usage or feasibility of installation requirements. This product is not suitable for damp or wet environments.